



# PRODUCT SPECIFICATION

---

LCD Android Box

**HD-3566S-BOX**

Version: V1.2

---

## Update History

Version	Release time	Description
V1.2	Sep. 9, 2023	Updated product name.
V1.1	Aug. 30, 2023	First official release.

Shenzhen Huidu Technology Co., Ltd.

## Contents

Chapter I Product Description.....	4
I . Overview.....	4
II. Features.....	4
Chapter II Specifications.....	5
I . Basic Parameters.....	5
1. Hardware Parameters.....	5
2. Software Parameters.....	6
II. Product Size Specifications.....	7
III. Schematic Diagram of Product Interface.....	8
IV. Interface Parameter Description.....	8
1. PWR / DC (power input) Interface.....	8
2. HDMI Output.....	9
3. LAN Port.....	9
4. Audio Interface.....	9
5. TF Card Slot.....	10
6. OTG Port.....	10
7. USB Port.....	10
8. Wi-Fi Antenna Port.....	11
9. IR Receiver Port.....	11
Chapter III Communication Methods.....	12
I. Update Programs by Wi-Fi.....	12
II. Update Program with U-disk.....	12
III. Update Program by TF Card.....	13
IV. Update Programs with LAN.....	13
V. Update Programs by the Internet.....	14
Chapter IV Appendix: Product Appearance.....	14

# Chapter I Product Description

## I. Overview

D-3566S-BOX is a well-built all-in-one LCD Android smart play box, using Rockchip RK3566 quad-core chip solution, equipped with Android 11.0 system, main frequency up to 1.8GHz, with super performance. Using Mali-G52 GPU, support 4K/H.265 hard decoding, 1080P video decoding. Supports U-disk, TF card, Wi-Fi, network port and other interfaces, making the product more versatile, and is widely used in intelligent control fields such as advertising machines, interactive all-in-one machines, security, medical care, transportation, finance, industrial control, etc.

## II. Features

- High performance. RK3566 chip adopts quad-core ARM Cortex-A55 architecture, the main frequency can be as high as 1.8GHz, capable of playing various formats of high-definition video screens, and capable of handling complex interactive operations.
- High stability. The RK3566 Android integrated board adds its own unique technology to the hardware and software to ensure the stability of the product, so that the final product can be unattended for 7\*24 hours.
- High integration. integrates functions such as Ethernet, Wi-Fi, TF expansion card, USB expansion port, HDMI interface output, etc., which greatly simplifies the installation of the whole machine.
- High definition. Supports LCD display screens with HDMI interface, and supports cropping screens of various sizes and resolutions.

# Chapter II Specifications

## I . Basic Parameters

### 1. Hardware Parameters

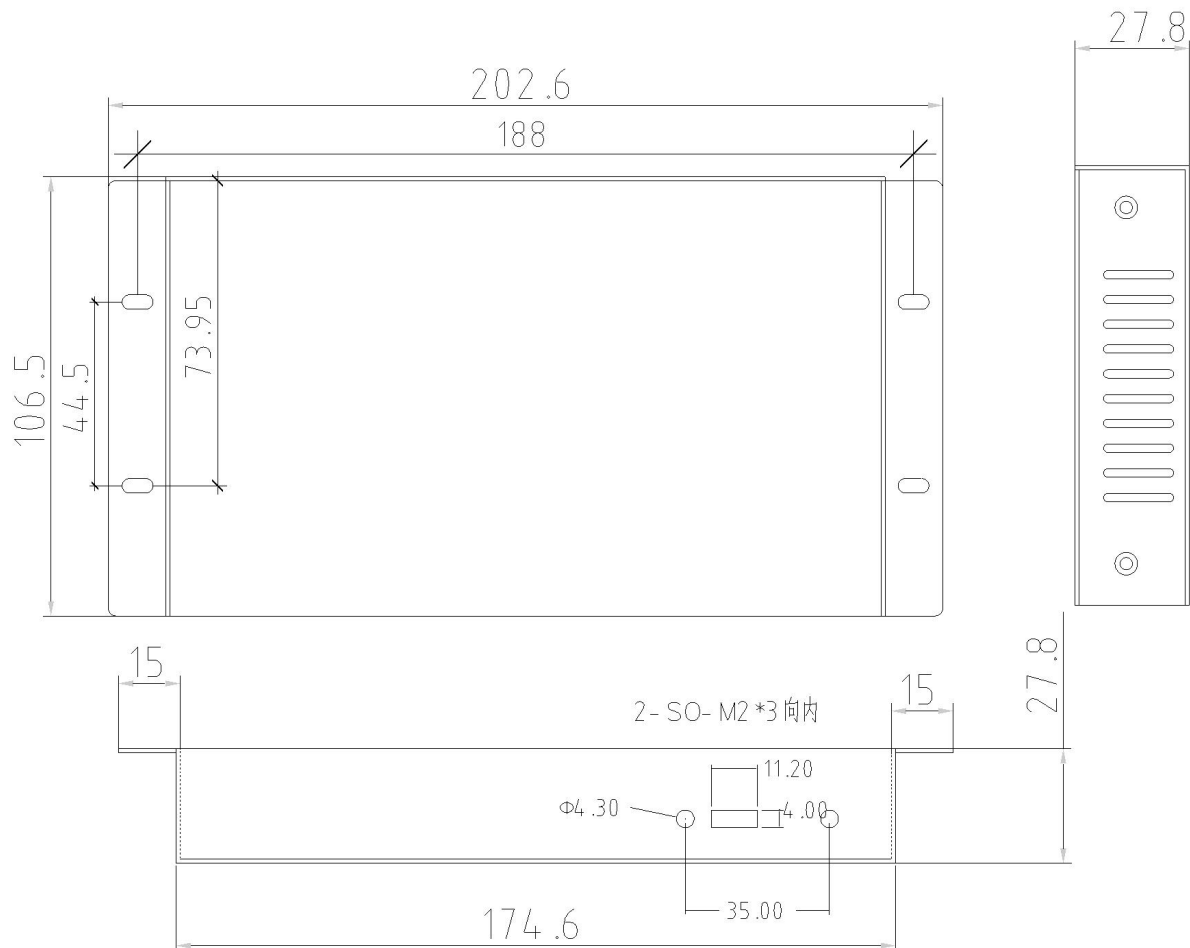
Hardware Parameters	
CPU	RK3566, Quad-core, the highest frequency 1.8GHz
GPU	Mali-G52 GPU supports OpenGL ES 1.1/2.0/3.2, OpenCL 2.0 and Vulkan 1.1
RAM/ Storage	Standard 2GB+32GB, 4GB+32GB, 4GB+64GB, 8GB+64GB
Connection	Support RJ45 100M Ethernet port and Ethernet. Support 2.4GHz (optional 5GHz) Wi-Fi and Wi-Fi 802.11b / g / n protocol.
Image rotation	Support 0 degree, 90 degree, 180 degree, 270 degree manual rotation
Display interface	1 * HDMI interface output
Audio	Support standard left and right channel line output
RTC	Built-in real-time clock function
USB	1 * USB 3.0 HOST, 1 * USB 2.0 or OTG
LED	1 * power status LED (green), 1 * system LED (green, blinking by default)
Button	1 * Recovery button
Power Adapter	Input: AC100-240V.50-60Hz, output: DC12V 1.5A (Requires that the surge voltage is less than 18V and the ripple voltage is less than 100mV)
Storage Humid	10%~90% RH
Storage Temp	-40℃~70℃
Work Temp	-20℃~70℃

## 2. Software Parameters

Software Parameters	
Operating system	Android 11.0
Audio	MP3,WMA,WAV, APE, FLAC, AAC, OGG,M4A,3GPP, etc.
Video	Support H.264, VP8, MAV, WMV, AVS, H.263, MPEG4 and other video formats
Image	Support various picture formats such as JPG, BMP, PNG
System comes with application software	APK installer, email, calculator, browser, recorder, calendar, settings, clock, video player, search, contacts, gallery, download, camera, music, explorer, etc.
Language	support multi-language
Typewriting	Standard Android keyboard, optional third-party input method
System Management	The original ecological Android system, open root permissions, can be customized product development
	Real-time remote monitoring, self-recovery of system crash, 7 * 24 hours unattended
	Support OTA remote upgrade; support U-disk upgrade
	Support boot animation definition
	Support server / standalone mode switch
	Support Wi-Fi hotspot
System watchdog	Support software watchdog

## II. Product Size Specifications

### Side interface size (boxed)



### III. Schematic Diagram of Product Interface



### IV. Interface Parameter Description

#### 1. PWR / DC (power input) Interface

12V DC power supply is used to supply power to the board subsystem only from the DC socket and power Socket.



Note: The inner diameter of the DC power port is 2.0mm, and the outer diameter is 5.8mm.

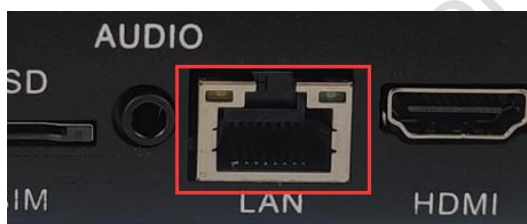
## 2. HDMI Output

Connect to the LCD screen for program display



## 3. LAN Port

Connect to the Internet/LAN to realize Internet remote cluster management and LAN cluster management.



## 4. Audio Interface

1. Standard 3.5mm dual-channel audio interface, which can be directly connected to low-power speakers or amplifiers.
2. The reset hole is hidden in the audio port. Long press with a long reset needle to restore the factory settings.



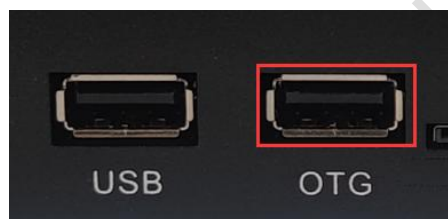
## 5. TF Card Slot

Insert the TF card to update the program content.



## 6. OTG Port

Upgrade firmware and other functions, in the system use the toolbox can be changed OTG/USB mode.



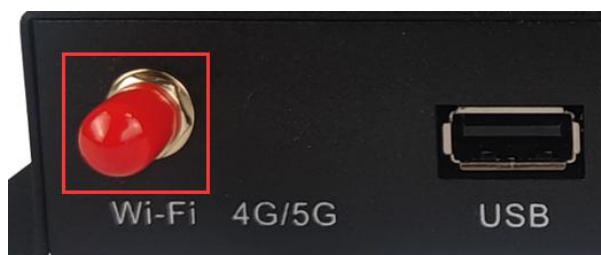
## 7. USB Port

Insert the U disk to update the program of the display screen. One of the USB interfaces can be switched to OTG or USB interface through jumpers (OTG and USB need to be set before the factory).



## 8. Wi-Fi Antenna Port

Connect Wi-Fi antenna to enhance Wi-Fi signal.



## 9. IR Receiver Port

Receiving remote control signal, setting and programs switching.



## Chapter III Communication Methods

### I. Update Programs by Wi-Fi



No Server required

**Mobile APP management**



### II. Update Program with U-disk



**U-disk update programs**

Support Interstitial & memory expansion



### III. Update Program by TF Card



#### TF card update programs

Support Interstitial & memory expansion



### IV. Update Programs with LAN

LAN or Internet

#### Network cable connection

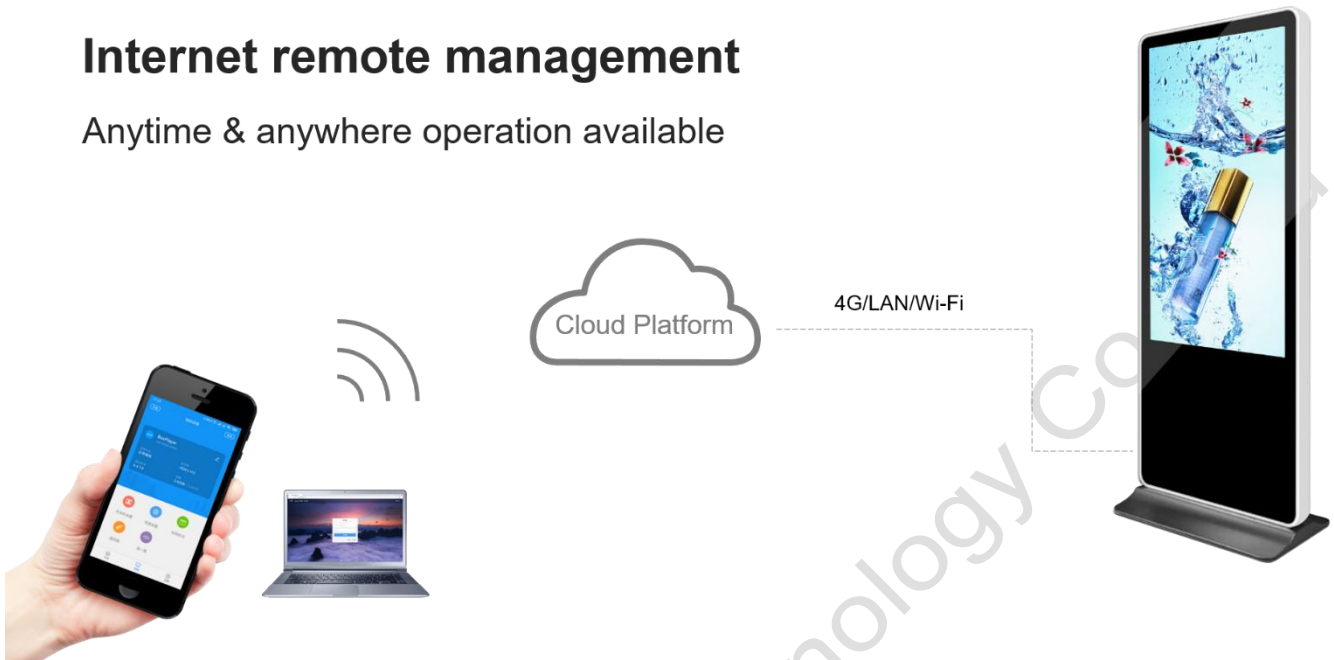
LAN & Internet integrated management



## V. Update Programs by the Internet

### Internet remote management

Anytime & anywhere operation available



## Chapter IV Appendix: Product Appearance





Note:

1. The 4G module is an optional accessory, installed in the playback box before leaving the factory;
2. Non-standard features, the picture of the specification may be slightly different from the actual product, if you have any questions, please contact Huidu Technology for confirmation.